

JNR & WNK Assembly Instructions

CARTON CONTENTS

Please check to be sure that all parts are included before proceeding with assembly. Contact your local dealer if any parts are missing.

Note: The grill is partially assembled. The Burner, Spider Guards, Venturis, Ignitor Collector Box are installed. Also, for LP units the Gaslow Regulator and Hose are installed.

MODEL JNR GRILL

<u>Parts</u>	<u>Quantity</u>
Top Casting (Grill Lid)	1
Bottom Casting (Grill Head)	1
Sta-Kool Handle	1
Handle End Caps	2
Warming Rack	1
Bottom Grate	1
Stainless Steel Cooking Grid (SearMagic 2)	1
Control Panel Brackets	2
Heat Shield	1
Grease Cup Holder	1
Control Panel Assembly	1
Valve Control Knobs	2
Ignitor Button	1
AAA Battery	1
Side Shelf	1
Side Shelf Bracket	1
Venturi Tube Cleaning Brush	1
Bag of Briquettes (53 pieces)	1
Lid Mounted Heat Indicator	1
Forked Grid Cleaning Tool (SearMagic Only)	1
<u>Hardware</u>	<u>Quantity</u>
Connecting Wire for Ignitor	1
1/4-20 x 1 1/2" Rd. Hd. Sltd. Bolt	4
1/4-20 x 1/2" Rd. Hd. Sltd. Bolt	2
1/4-20 x 3/4" Hex head Bolts	3
1/4-20 x 1" Hex head Bolts	4
1/4-20 x 1 1/2" Hex Head Bolt	2
1/4-20 KEP Nut	11
Hitch Pin for Lid	2

MODEL WNK GRILL

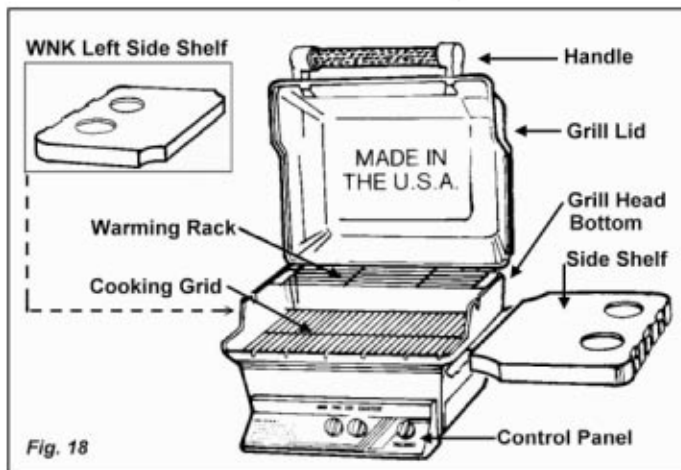
<u>Parts</u>	<u>Quantity</u>
Top Casting (Grill Lid)	1
Bottom Casting (Grill Head)	1
Sta-Kool Handle	1
Handle End Caps	2
Warming Rack	1
Bottom Grate	1
Stainless Steel Cooking Grids (SearMagic 3)	2
Control Panel Brackets	2
Heat Shield	1
Grease Cup Holder	1
Control Panel Assembly	1
Valve Control Knobs	2
Ignitor Button	1
AAA Battery	1
Side Shelf	2
Side Shelf Bracket	2
Venturi Tube Cleaning Brush	1
Bag of Briquettes (67 Pieces)	1
Lid Mounted Heat Indicator	1
Forked Grid Cleaning Tool (SearMagic Only)	1
<u>Hardware</u>	<u>Quantity</u>
Connecting Wire for Ignitor	1
1/4-20 x 1 1/2" Rd. Hd. Sltd. Bolt	6
1/4-20 x 1/2" Rd. Hd. Sltd. Bolt	2
1/4-20 x 3/4" Hex head Bolts	3
1/4-20 x 1" Hex head Bolts	8
1/4-20 x 1 1/2" Hex Head Bolt	2
1/4-20 KEP Nut	13
Hitch Pin for Lid	2

JNR & WNK Assembly Instructions

Grill Head Assembly Instructions

- The grill head bottom must be attached to the mounting before starting.
- It is easiest to work with the grill in the upright position.
- The difference between the JNR and the WNK is the WNK is larger, has two side shelves and the warming rack fastens differently.
- Leak test all gas connections before using.
- Caution: Combustible material should never be within 18 inches of the bottom, back or sides of your MHP Gas Barbecue Grill.

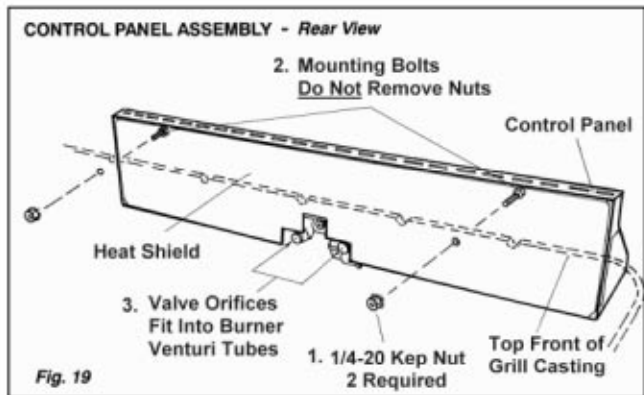
View of JNR & WNK Grill Head Components



Step 1: Control Panel & Heat Shield

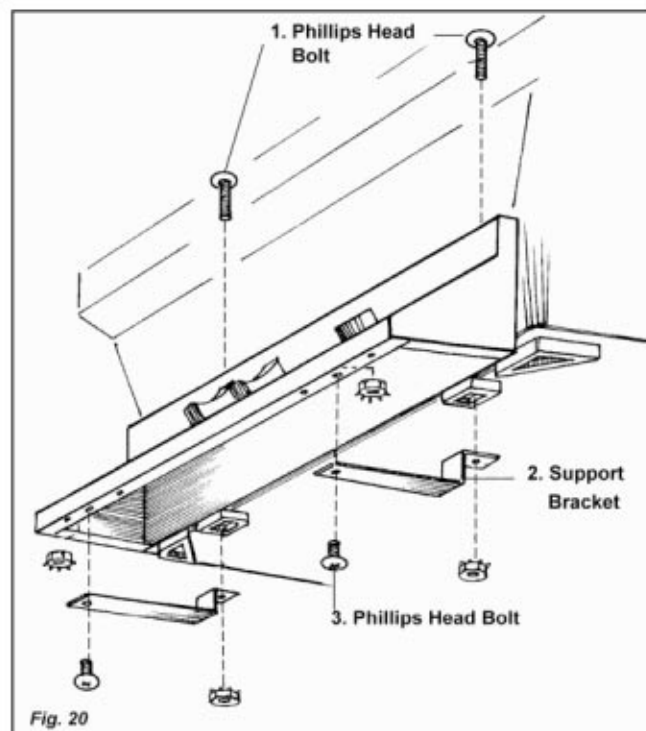
A. Attaching the Heat Shield and Control Panel Assembly (Fig. 19)

1. Attach the complete control panel assembly to the front of the grill head with 1/4—20 Keps nuts.
2. Leave the (2) nuts holding the heat shield on, to serve as spacer nuts.
3. Make sure the valve orifices on the control panel aligns with the burner venturi correctly and that the venturi tubes go over the valve orifices at least 1/4" to 1/2" (see fig. 22 on page 16).



B. Connecting the Control Panel Support Brackets (Fig. 20)

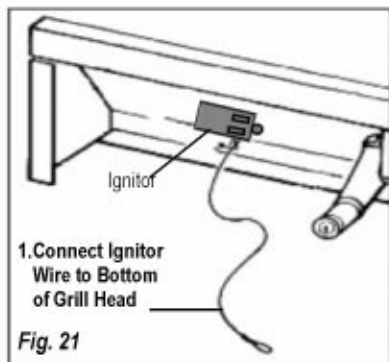
1. Two support brackets are connected beneath the control panel to the grill head for added support. Push a 1/4 - 20 x 1 1/4" Phillips head bolt through the grill head from the inside.
2. Slip the support bracket in position, fasten with a 1/4 - 20 Keps nut.
3. Attach the control panel to the support bracket by pushing up a 1/4 - 20 x 1/2" Phillips head bolt through the support bracket and through the lower lip of the control panel, fasten with a 1/4 - 20 Keps nut.



JNR & WNK Assembly Instructions

C. Ignitor Wire Connection (Fig. 21)

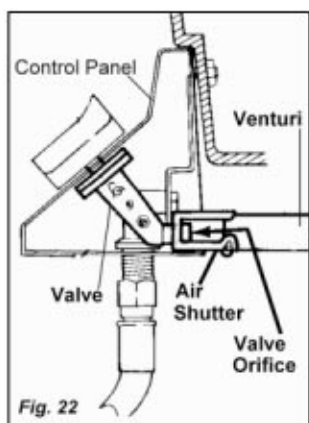
1. Tip the grill on its back (or upside down) and attach the control panel ignitor wire to the terminal sticking out from the bottom of the grill. **Be careful not to crack the delicate porcelain insulator.**



D. Orifice Engagement (Fig. 22)

At the top end of each valve there is a tiny gas opening known as the orifice. Gas exits the orifice and enters a venturi where it mixes with air coming in from the side air shutter. The proper mixture of air and gas produces a clean blue flame at the burner.

Make sure the valve orifice on the control panel aligns with the burner venturi tube correctly. The orifice should fit into the venturi tube $\frac{1}{4}$ " to $\frac{1}{2}$ " inches as shown below.



WARNING! Always check the alignment of the orifice and the venturi whenever the grill has been moved. Make sure that the orifice fits into the venturi tube $\frac{1}{4}$ " to $\frac{1}{2}$ ". Failure to make this connection may cause fire and result in serious body injury or damage to your grill.

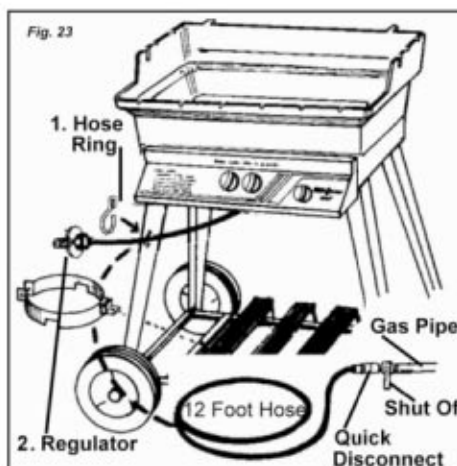
Step 2: Connect the gas supply line (Fig. 23)

A. For LP-Gas Tank and LP Cart Models:

1. Pass the Gaslow Regulator Hose through the hose clamp ring and screw the ring to the front of the left leg.
2. Connect the regulator end of the hose to the LP-Gas Tank. **Tighten securely and leak test both connections. See Leak Testing on page 23.**

B. For Natural Gas Carts Using 12 foot Hose:

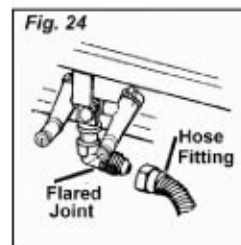
Connect one end of the supplied 12 foot hose to the grill valve connection behind the control panel. Then, connect the quick disconnect valve on the hose to the gas supply line connection. **Tighten securely and leak test both connections. See Leak Testing on page 23.**



C. For Deck/Patio & In-Ground Mounts Using 30" Flexible tubing. (Fig. 24)

Connect the 30" flexible tube to the incoming gas supply using a $\frac{3}{8}$ " flare coupling (not supplied). Attach the other end to the grill valve connection behind the control panel. To tighten securely use two wrenches. Hold valve joint with one wrench and tighten the hose fitting with second wrench. **After Tighten leak test both connections. See Leak Testing on page 23.**

Do not use compound or Teflon tape on flare fittings.



JNR & WNK Assembly Instructions

Step 2: Continued

D. Column Mount Gas Connections

Aluminum and Stainless Column mounts:

The supply line connection pass beneath the heat shield and through the front slot with the protected edge and attaches to the valve.

Don't forget to attach the front Access Panel to the Column. (Fig. 25)

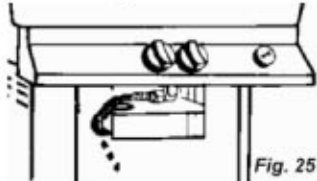


Fig. 25

LP Propane for portable base and deck/patio mounts:

The hose connection from the Gaslow/Regulator passes out the front access opening; resting the protected slot edge beneath the control panel. The LP tank locking bar will press against the tank as it is lowered into place to prevent tank movement.

(Fig. 26)



Fig. 26

Natural gas for deck/patio mount

The gas line enters at the rear of the base curving up through the base opening. The stainless steel flexible tubing line must be connected to the incoming gas line using a 3/8" flare coupling (not supplied by MHP). The flexible tubing then passes beneath the heat shield and through the front access opening and attaches to the control valve. (Fig. 27)

See page 26 for tubing bending instructions.

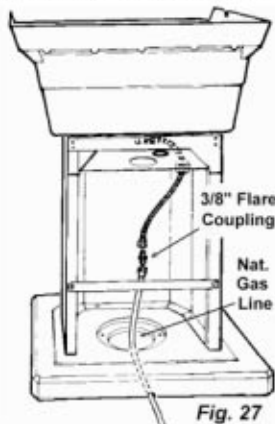


Fig. 27

Tighten all gas connections securely and leak test both ends. See Leak Testing on page 23.

Natural gas hose for portable base mount

The natural gas cart uses a 12 foot hose with a quick disconnect (supplied). The hose passes beneath the heat shield through the front access opening and connects directly to the control valve. The quick disconnect end attaches to the gas supply line at the shut-off valve.

(Fig. 28)

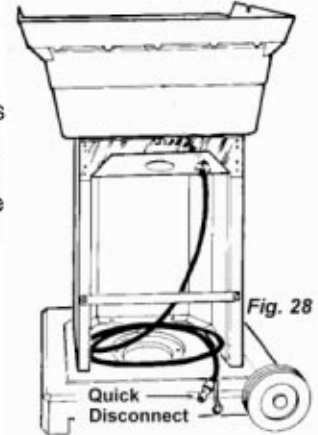


Fig. 28

Step 3: Attaching the Side Shelf (Fig. 29)

1. Turn NuStone Shelf upside down, noting the hole location of the (2) Brass Treaded Inserts.

2. Lay Aluminum side shelf bracket onto shelf and mount NuStone Shelf with supplied 1/4-20 x 1 1/4" Phillips head bolt and Lock washers.

Do not over tighten.

3. Attach the entire unit to the grill head by inserting two 1/420 x 1 1/2" Rd. Hd. Sld screws. Insert bolt through the holes located on either the right or left side of the bottom grill head, fasten with a 1/420 Kep nut.

(Note: Repeat steps 1 and 3 to attach the WNK model second side shelf.)

Please See Page 20 For Attaching the Stainless Steel Fold Down Shelves.

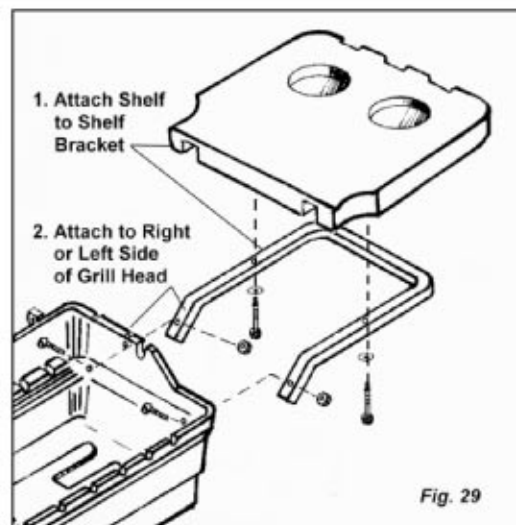
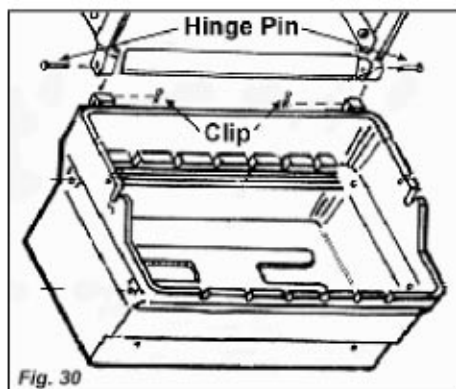


Fig. 29

JNR & WNK Assembly Instructions

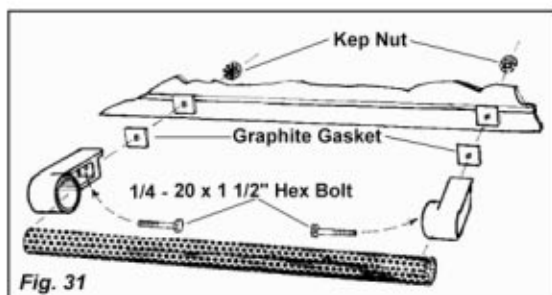
Step 4: Attaching the Grill Lid (Fig. 30)

1. Attach the grill lid to the grill head bottom using the two Hinge Pins and Hinge Clips.



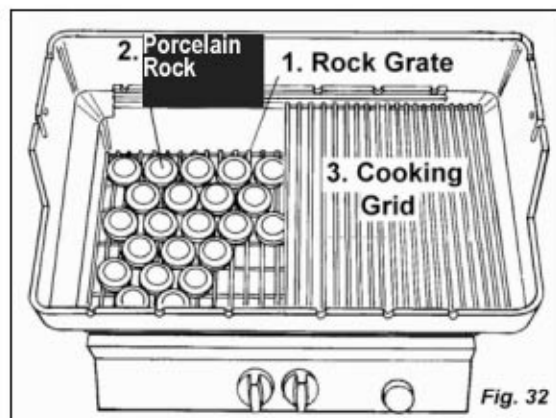
Step 5: Connect the Handle (Fig. 31)

1. Attach the handle to the grill lid using two 1/4 - 20 x 1 1/2" Hex bolts with Kep nuts. Graphite Gaskets are positioned between the end caps and grill lid as shown in fig. 31. Use two 7/16" wrenches, one to hold the bolt head and one to tighten the nut.



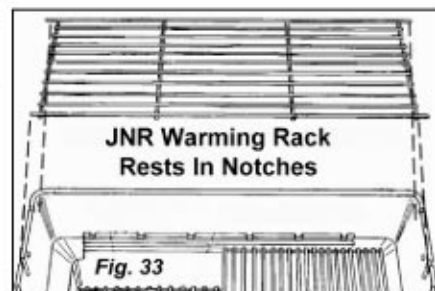
Step 6: Grates, Briquettes and Cooking Grids (Fig. 32)

1. Place the one piece BriquetteGrate on the shelf edge just above the burner.
2. Carefully place the Porcelain Briquettes on the grate in the pattern shown. Use only one layer.
3. Place the two Cooking Grids above the Briquette Grate

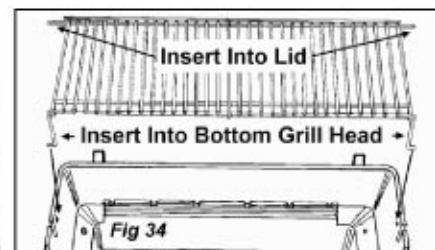


Step 7: Warming Rack

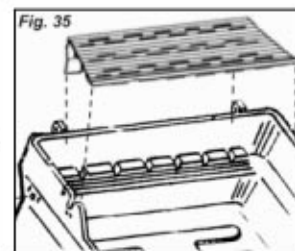
1. The JNR Warming Rack rests in the notches on the top edge of the grill head bottom. (Fig. 33)



2. The WNK and TJK swing-away Warming Rack connects to the grill lid and the grill head bottom. First, insert the right Top and Bottom Rods into their respective mounting holes on right side of the grill lid and grill head bottom. Then slide the RACK to your left, positioning the left Top and Bottom Rods into their respective mounting holes simultaneously. The Lower Right Rod End can then be "popped" into place by flexing it inward. (Fig. 34)



3. The SearMagic Warming Rack drops onto the top edge of the grill head bottom. the warming rack bracket is positioned between the hinges of the grill head bottom inside back wall. (Fig. 35)



Before using your grill, leak test all gas line connections. And follow the lighting instructions. See page 23.